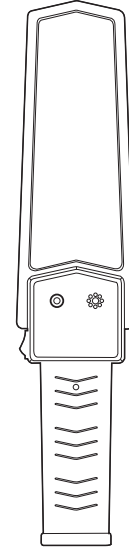


Instruction manuals Metal Detectors



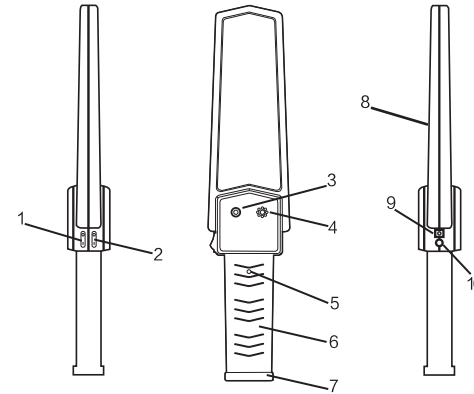
24-V1-DM333401

Products

This product is a metal detector with accurate detection, capable of detecting metal parts of different sizes within a certain distance, widely used in airports, stations, wharves, electronic detection and inspection; customs, public security, border guards, security checks in the defense sector; pharmaceuticals, food commercial system quality checks, important places sports field security checks; precious metal detection, such as gold and silver jewelry factories.

1

Product Features



1. Switch (Red) o: Power off I: Power on	2. Strong and weak switch (black) o: Switch strong sensitivity I: Switch weak sensitivity
3. Green: Power indication Red: Alarm indication	4. Buzzer sound hole
5. Sensitivity adjustment	6. Handle cover
7. Battery cover	8. Detection surface
9. Charging jack Note: This product is equipped with a 9V battery without rechargeable battery and charger.	10. Detection mode switching vibration, sound

2

Operating Method

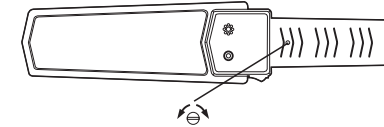
Usage

- turn on the power switch, the indicator light green, that the power supply has been connected. If the indicator light does not indicate that the battery is not installed or poor battery contact, such as continuous non-stop sound indicates that the battery can not be used again, should be replaced with new batteries.
- after the boot, you can carry out high sensitivity detection, the handles will detect the surface of the probe around the object under test, there are metal objects, that is, the alarm sound, at the same time, the green light becomes red; stop sweeping, the alarm sound stops, the red light becomes green.
- low sensitivity test**
If you need to exclude the metal objects in the very small objects, you can press and hold the low sensitivity switch (black button), switch the weak sensitivity. Sweep around the test object, there are metal objects, that is, the alarm sound, at the same time, the green light to red; stop sweeping, the sound that is stopped, the red light to green. Because this time the sensitivity is reduced by more than 5 times, so this time to measure the general are relatively large metal objects.

3

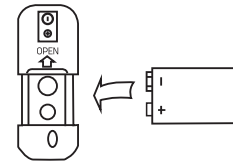
Sensitivity Adjustment

- such as the detection distance does not meet the specified requirements or sensitivity is too high to cause instability or no metal on the human body to detect the sweeping sound should be adjusted for sensitivity.
- with a small screwdriver from the detector handle hole into the counterclockwise rotation, adjusted to the sound, and then clockwise rotation adjusted to just do not make a sound and then clockwise rotation of half a circle, to the sensitivity to meet the requirements.



Battery Replacement

- Use your thumb to open the back cover of the battery by stepping backward inside the groove.
- Load the 9V battery according to the positive and negative symbols on the battery cover.
- Cover the battery cover and push it forward firmly.



4

Operating Method

Rated Voltage	9V
Rated power	Buzzer power:0.4W Vibration power:0.7W
Operating Frequency	25kHz
Standby current	0.003A
Working Current	0.04A
Working Temperature	-20°C~50°C
Detection distance	Big Head Pin 2~3cm
	Razor Blade 5~10cm
	Pistol 10~15cm
	20mm diameter steel ball 8~10cm
LED Indication	Green:Power on Red:Target detected
Alarm signal	Sound/Vibration
Net weight	360g
Dimension	41cm x 8.5cmx4.5cm

5

Precaution

- Do not forget to turn off the power after use
- This machine has been precisely adjusted by professional instruments before delivery, please do not disassemble it at will.
- The battery should be taken out when the instrument is not used for a long time, so as not to damage the instrument by battery leakage.
- Please keep away from the object to be measured before opening the instrument, because the instrument will not make sound or vibration when it is fixed to the object to be measured.
- No sound or vibration will be produced when the instrument is fixed to the object to be measured.

Maintenance

Wipe with a dry cloth regularly, do not use solvents to clean this product.

6